

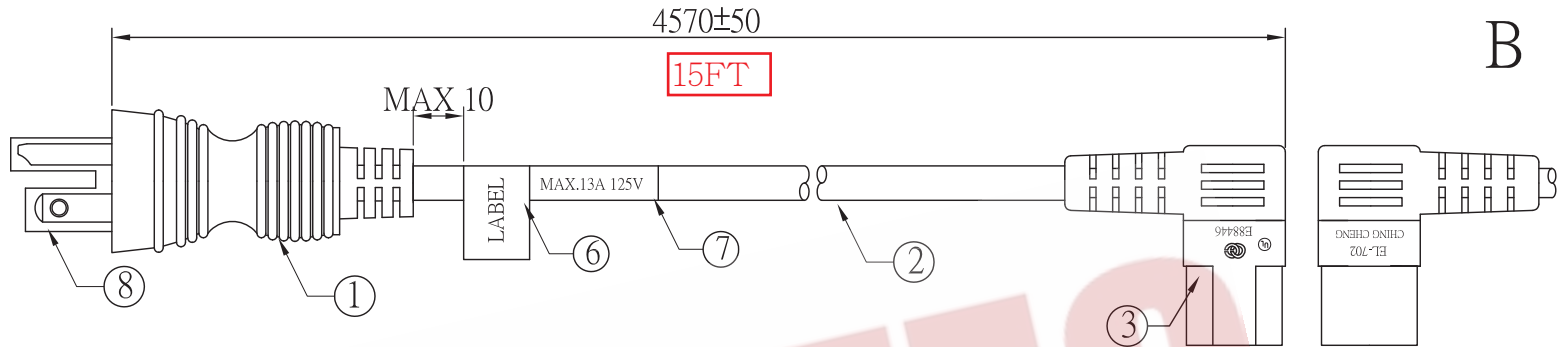
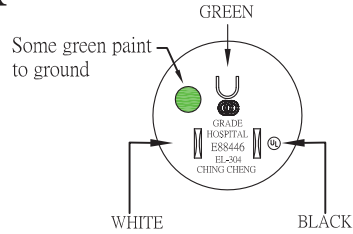
**CORDTEC POWER CORPORATION**  
**CONFIRMED**

2019.08.13

ChenTony

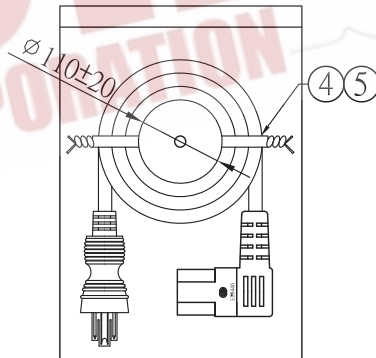
			REV.NO.	1.0
			CUSTOMER	CORDTEC
ITEM	REVISION	DATE	(CUS)PART NO.	MD13ARC13-180

A



B

CABLE LABEL:



MARK	A	B	MARK	A	B
C			↔		
MS			N		
S			NF 1512AP		
♥			NO		
↻			UL	✓	✓
JET			SP		✓
DE			CCO		
IP44			CE		
Y			S		
5			UL		
S			UL		
OVF			UL		
CEBEC			UL		
FI			UL		
D			EN		
KEUR			CE		

NOTE:

- 1.THE CABLE SHALL COMPLY WITH UL 62 .
- 2.THE MOLDED PLUG SHALL COMPLY WITH NEMA 5-15P.
- 3.THE MOLDED CONNECTOR SHALL COMPLY WITH IEC/EN 60320/C13.
- 4.RoHS COMPLIANCE .

⑧	DUST CAP	1
⑦	CABLE LABEL 1	1
⑥	CABLE LABEL	1
⑤	PE BAGE: 200*280*0.05mm	1
④	MINI TIE	2
③	MOLDED CONNECTOR:EL-702(RIGHT) GREY	1
②	CABLE:SITW 3X16AWG 75°C GREY	4580mm
①	MOLDED PLUG:EL-304 CLEAR	1
NO.	DESCRIPTION	QTY

MATERIAL CONSTITUTE TABLE

**CORDTEC** POWER CORPORATION  
 Main: 1-414-434-2220 Fax: 1-414-323-8386  
 Text: 1-414-323-3240  
 Email: Info@CordtecPower.com  
 Website: CordtecPower.com/ ACWORKS.com

NAME		CORD SET			
CC PART NO.		DRAWING NO.			
UNIT	mm	SCALE	free	DATE	2019.07.17
APPROVED BY	2019.07.17 張小成			DRAWING BY	LFM
				CHECKED BY	